



Analog Source Generator
0 – 10 Voltage and 0 – 20mA Current
US10V20M

web: www.ulivesystems.com
email: info@ulivesystems.com

The **Analog Source Generator**(0-20mA/0-10V) will assist maintenance personnel and integrators in analog input testing troubleshooting and application development.

This device is handy for testing Sensor data with PLC's analog input variants like gas/liquid sensor. Also useful for measuring data from Pressure sensor, Strain Gauge Sensor, Temperature Sensor, Level Sensor, Position Sensor etc..,

SPECIFICATION

Functionality

3 wire 0-20mA Signal Source Generator
Perfect 0-10V Signal Source Generator.

Power Supply

24V DC External

Current Output

Output Range 0-20mA
Output Accuracy $\pm 1\%$ of full scale
Load range $10 \Omega \sim 1.1k \Omega$.

Voltage Output

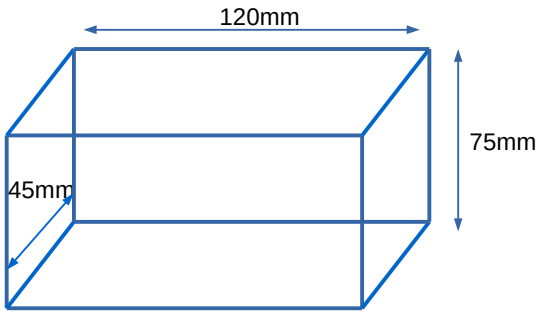
Output Range 0-10V DC
Output Accuracy $\pm 1\%$ of full scale
Load range 100mA Max

Protection

Input Reverse Polarity, Output Short Circuit Protection

DIMENSION

Din Rail Mountable case
Product size 45x75x120mm.

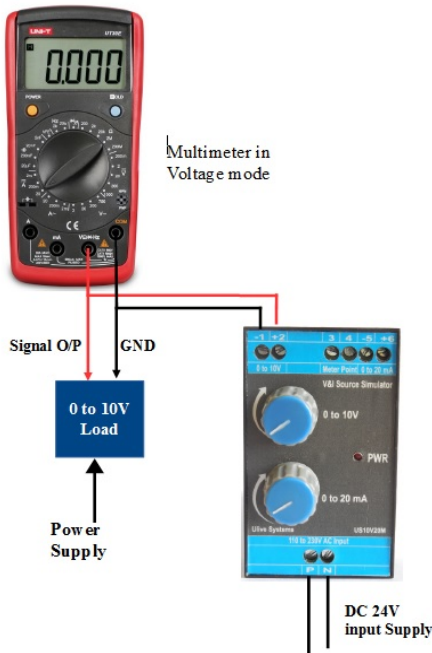


- Variable using 5 turns Potentiometer.
- Selectable range 0 mA ~ 20 mA in 0.01mA steps resolution or more for Current Source.
- Selectable range Perfect 0 V ~ 10 V DC in 0.01 V steps resolution or more for Voltage Source.

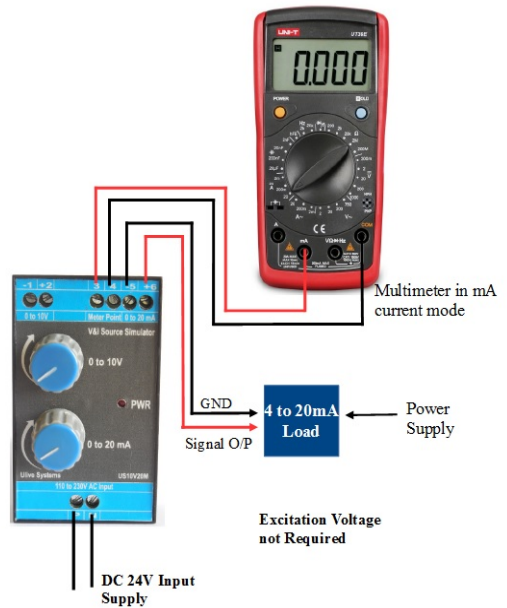
mA Self Test Method

1. Connect the provided jumper wire in 3 and 4
2. Connect the provided 1k ohm resistor in 5 and 6
3. Change the current POT and Measure the voltage across 5 and 6
4. Voltage varies in 0 ~ 20V DC for 0 ~ 20mA

Voltage Simulation Connection Procedure



Current Simulation Connection Procedure



Ulive systems manufactures various products for industrial use like

- ✓ *USB & Ethernet Converters*
- ✓ *MODBUS IO modules – 48DI, 24DI24DO, 16DI, 8DI8DO, 0 – 20mA, 0 – 10V*
- ✓ *0 – 20mA / 0 – 10V simulator*
- ✓ *PLC, HMI, Relay modules*
- ✓ *Surge protection devices for RS485, 1ph 230V AC, 3Ph 440V AC etc.,*